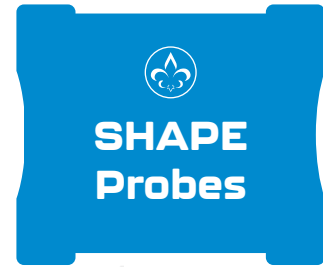


# SHAPE-P-054-HR



**SG NDT SHAPE probes** are an ideal solution for examining surfaces with varying curvatures and geometries. They can be held in the hand or in a small probe holder, making them a versatile tool for initial testing and proof of concept verification before transitioning to a rigid probe with a fixed geometry.

The **SHAPE-P-054-HR probe** is a **high-resolution** inspection probe with a rubber backing that ensures durability while minimizing the impact on flexibility. These probes have been field-proven as an excellent probe choice for difficult inspections or small defects.

The SHAPE probe can be customized to meet specific requirements, making it the ultimate tool for surface Eddy Current Array examination.

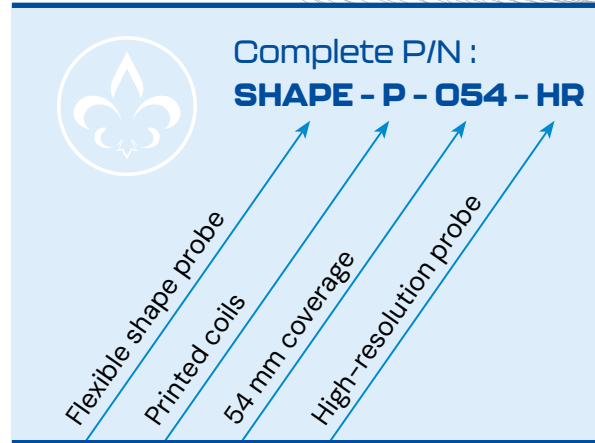
## SHAPE-P-054-HR

Technology	PCB Coils
Frequency Range	100kHz – 800kHz
Coil OD	3.5mm
Coil Quantity	2 Rows of 32 Intertwined Coils (total 64)
Probe Coverage	54mm
Topology	Short Single Driver
Channels	31 Axial, 31 Transverses (total 62)
Resolution	1.75mm Axial, 1.75mm Transverse
Curve Radius	> 50mm
Typical Detectable Defect	> 0.5mm
Cable Length	3m Standard
Maximum Lift-Off	1.25mm

# SHAPE-P-054-HR

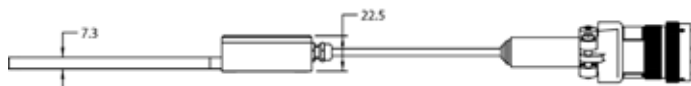
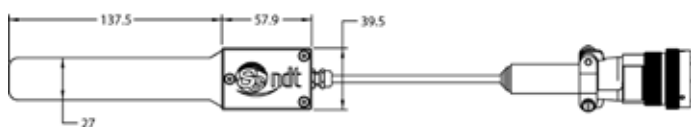
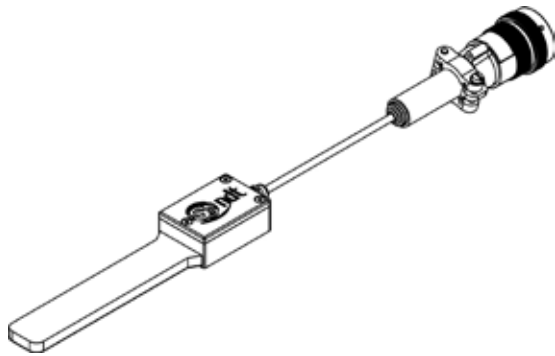
## Interchangeability

The flexible array is easily detached from the cable and multiplexer (MUX) assembly and replaced using a single tool. This means that the array can be quickly and easily replaced by other similar arrays with a different coverage, resolution or topology.

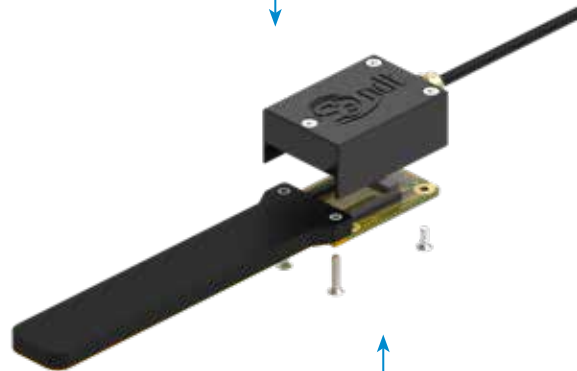


Complete P/N :  
**SHAPE - P - 054 - HR**

Flexible shape probe  
Printed coils  
54 mm coverage  
High-resolution probe



Cable P/N : **CBLS-SHAPE-03M**



Array P/N : **SFLX-P-054-HR**

**Through innovation,**  
we surpass standard expectations

visit us online at: [sgndt.com](http://sgndt.com)

