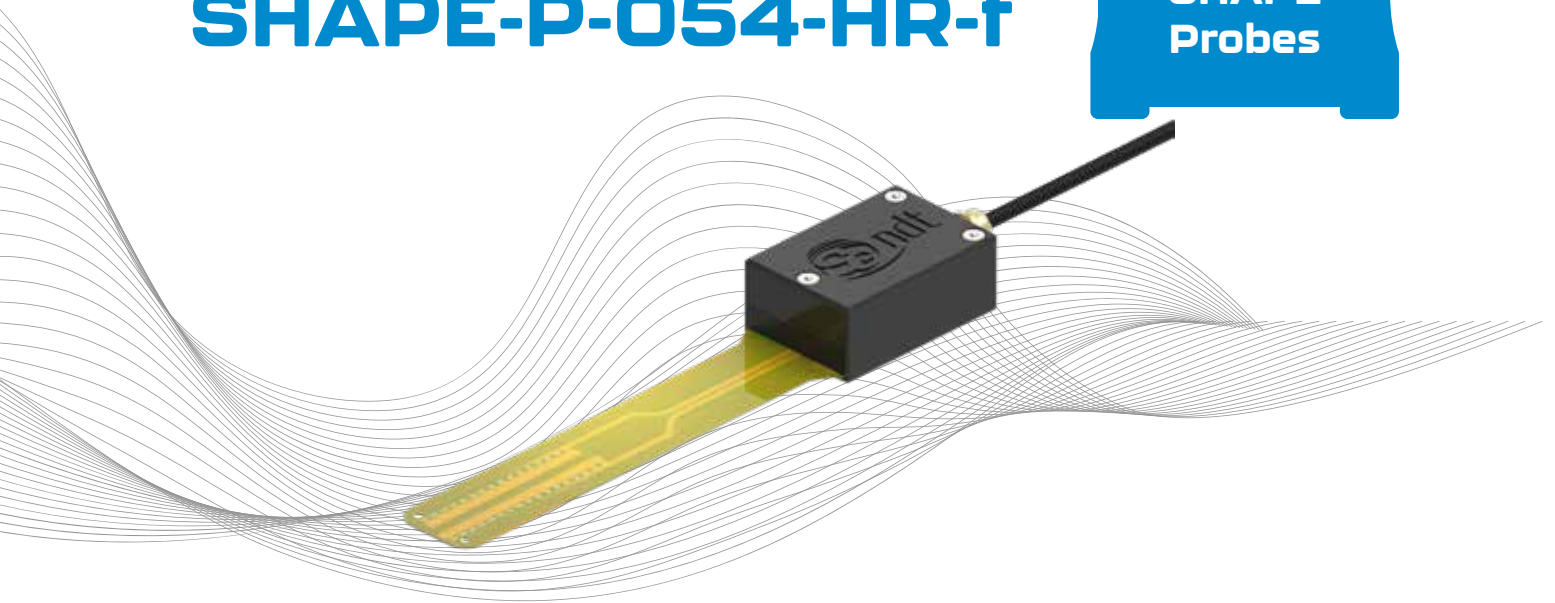


# SHAPE-P-054-HR-f



**SG NDT SHAPE probes** are an ideal solution for examining surfaces with varying curvatures and geometries. They can be held in the hand or in a small probe holder, making them a versatile tool for initial testing and proof of concept verification before transitioning to a rigid probe with a fixed geometry.

The **SHAPE-P-054-HR-f probe** is a **high-resolution** inspection probe, manufactured with no rubber backing, resulting in the **ultimate probe flexibility**. These probes have been field-proven as an excellent probe choice for difficult inspections with geometric challenges or small defects.

The SHAPE probe can be customized to meet specific requirements, making it the ultimate tool for surface Eddy Current Array examination.

## SHAPE-P-054-HR-f

|                           |   |
|---------------------------|---|
| Technology                | PCB Coils                                 |
| Frequency Range           | 100kHz – 800kHz                           |
| Coil OD                   | 3.5mm                                     |
| Coil Quantity             | 2 Rows of 32 Intertwined Coils (total 64) |
| Probe Coverage            | 54mm                                      |
| Topology                  | Short Single Driver                       |
| Channels                  | 31 Axial, 31 Transverses (total 62)       |
| Resolution                | 1.75mm Axial, 1.75mm Transverse           |
| Curve Radius              | 20mm                                      |
| Typical detectable defect | > 0.5mm                                   |
| Cable Length              | 3m Standard                               |
| Maximum Lift-Off          | 1.25mm                                    |

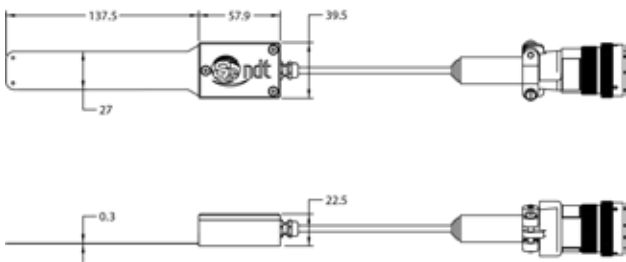
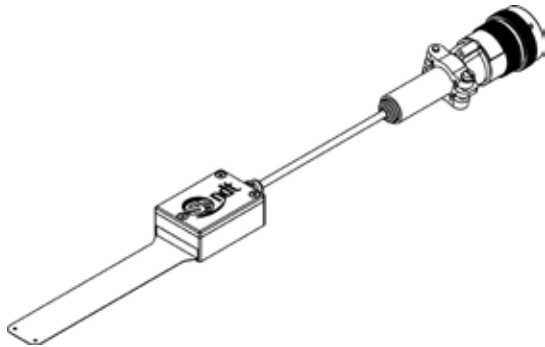
# SHAPE-P-054-HR-f

## Interchangeability

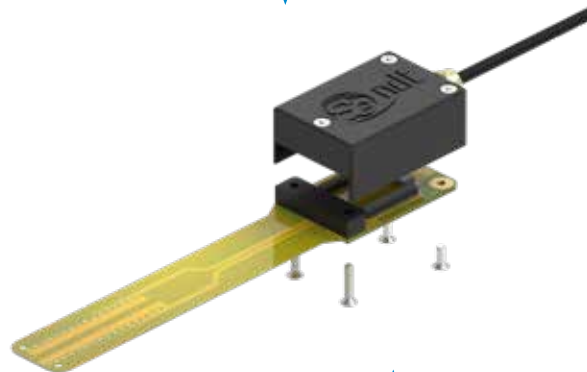
The flexible array is easily detached from the cable and multiplexer (MUX) assembly and replaced using a single tool. This means that the array can be quickly and easily replaced by other similar arrays with a different coverage, resolution or topology.

Complete P/N :  
**SHAPE - P - 054 - HR-f**

Flexible shape probe  
Printed coils  
54 mm coverage  
High-resolution probe



Cable P/N : **CBLS-SHAPE-03M**



Array P/N : **SPAD-P-036-XR-f**

**Through innovation,**  
we surpass standard expectations

visit us online at: [sgndt.com](http://sgndt.com)

