

SHAPE-P-053-MR



SG NDT SHAPE probes are an ideal solution for examining surfaces with varying curvatures and geometries. They can be held in the hand or in a small probe holder, making them a versatile tool for initial testing and proof of concept verification before transitioning to a rigid probe with a fixed geometry.

The SHAPE-P-053-MR probe is a mid-resolution inspection probe with a rubber backing that ensures durability while minimizing the impact on flexibility. These probes have been field-proven as an excellent probe choice for difficult inspections with geometric challenges.

The SHAPE probe can be customized to meet specific requirements, making it the ultimate tool for surface Eddy Current Array examination.

SHAPE-P-053-MR

Technology	PCB Coils
Frequency Range	50kHz – 500kHz
Coil OD	3.5mm
Coil Quantity	2 Rows of 16 (32 total)
Probe Coverage	53mm
Topology	Long Single Driver
Channels	31 Axial, 15 Transverses (total 46)
Resolution	3.5mm Axial, 3.5mm Transverse
Curve Radius	50mm
Typical Detectable Defect	> 2mm
Cable Length	3m Standard
Maximum Lift-Off	2.75mm

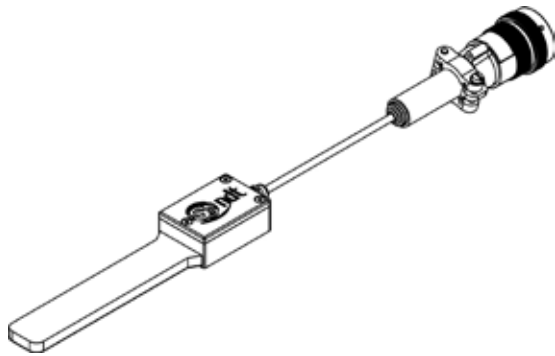
SHAPE-P-053-MR

Interchangeability

The flexible array is easily detached from the cable and multiplexer (MUX) assembly and replaced using a single tool. This means that the array can be quickly and easily replaced by other similar arrays with a different coverage, resolution or topology.

Complete P/N :
SHAPE - P - 053 - MR

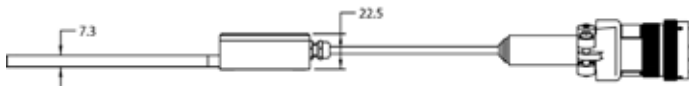
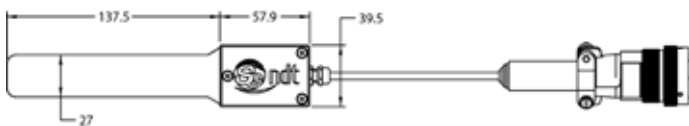
Flexible shape probe
Printed coils
53 mm coverage
Mid-resolution probe



Cable P/N : **CBLS-SHAPE-03M**



Array P/N : **SFLX-P-053-MR**



Through innovation,
we surpass standard expectations

visit us online at: sgndt.com

